

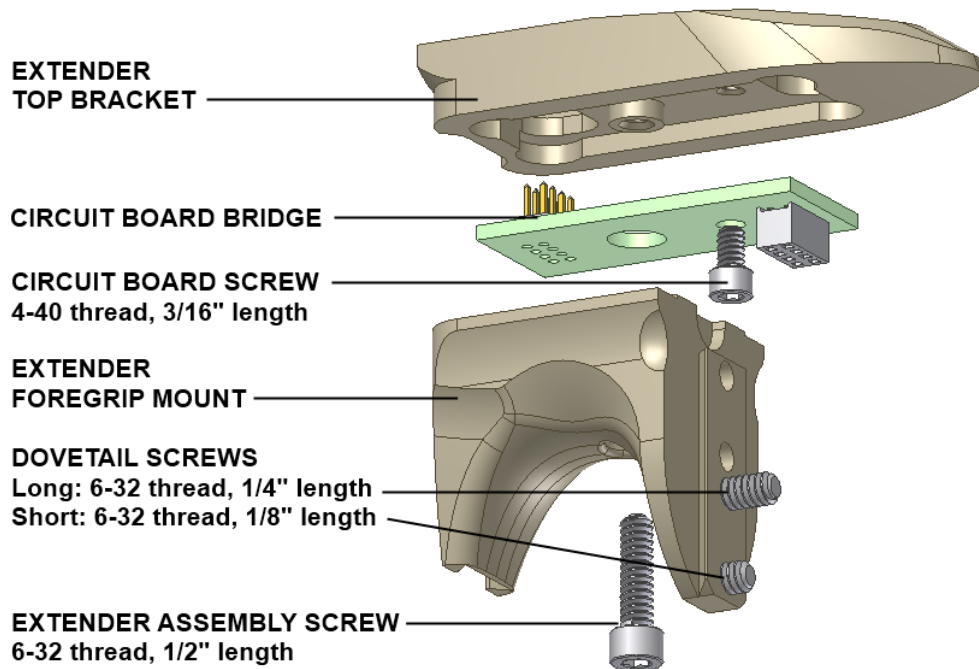
# NUMMECH PRODUCTS

## INVERT MINI / EMPIRE AXE

### UNIVERSAL FOREGRIP EXTENDER

The Mini/Axe foregrip extender is designed to shift the foregrip forward while maintaining the same quick-release system used by the stock parts.

The upgrade package contains one assembled foregrip extender with all the required mounting hardware. The foregrip extender houses an internal "circuit board bridge" which is held in place by a small screw.



---

#### Installation:

The universal foregrip extender is meant to be a simple "slide on" process for most markers. Simply remove the stock foregrip, slide the foregrip extender onto the trigger guard, then mount the foregrip onto the extender's dovetail. When complete, tighten all set screws hand-tight. Turn the marker on and test the eyes and trigger.

#### Alternate Installation:

Due to differences from one marker to another, it may be necessary to adjust the extender's "assembly screw" position (reference the above diagram). This adjustment can be done if the extender is too tight when slid on or off the marker.

To adjust, remove the foregrip extender then loosen the assembly screw (loosen but do not remove). With the assembly screw loose, slide the extender onto the stock trigger guard dovetail then slide the foregrip onto the extender. With all parts in their "proper" location, re-tighten the extender assembly screw. Lastly, be sure to tighten all the dovetail set screws like normal.

The foregrip extenders are designed to be a close fit between the transfer plate, frame, and extender. Manufacturing differences from marker to marker require that a small gap be present, however this will not affect regular gameplay. Excessive playing in mud, rain, swamps, or other wet conditions may require you to clean the sensor board if any foreign liquid is able to seep inside the marker (however this is normal wet playing conditions).