

NUMMECH PRODUCTS

DROP FORWARD FOR AXEPRO & MINI-GS

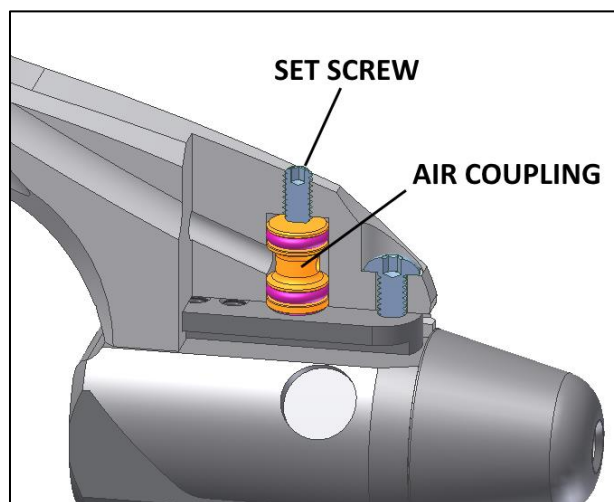
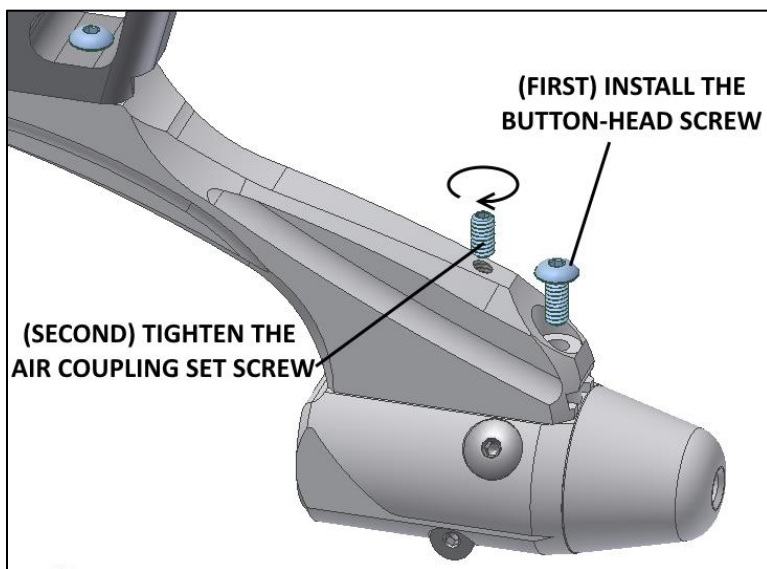
This drop-forward mount is intended to mimic the marker's stock bottomline mounting system. Please read these instructions before your installation. An installation video can be found on our website www.nummech.com.

Installation:

1. Start by loosening the marker's grip panels and remove the battery (you will need access to the grip frame's internals).
2. Remove the stock ASA regulator by unscrewing the two screws located on the inside of the grip frame. AxePro has two button head cap screws whereas MiniGS has one cap screw and one set screw. Keep these screws because they will be re-used when installing the drop-forward.
3. Slide the factory ASA regulator forward and off the marker frame. Use caution because an o-ring is located on top of the ASA regulator and often gets snagged during removal.

Installing your ASA/regulator onto the drop-forward:

4. Be sure an o-ring is installed on top of the ASA regulator prior to installation. Spare o-rings are included with the drop-forward if needed. Feel free to use a small amount of grease to lubricate the o-ring.
5. Slide the ASA regulator onto the drop-forward. Avoid forcing the regulator; if it doesn't slide easily, the o-ring may be snagging on the inside of the drop-forward's mounting slot.
6. With the ASA regulator in position, install the new button-head cap screw to secure it onto the drop-forward (as shown in the diagram below). Use this screw to tighten the ASA regulator.
7. The pressure connection is made using a small air coupling located in the bottom of the drop-forward. Once you've secured the ASA regulator, the air coupling can be tightened by screwing the drop forward's small set screw. This will push the air coupling down against the ASA reg. The diagrams below show this process:



Drop-forward installation on marker:

8. The whole assembly can be installed onto the marker after the ASA reg is correctly mounted onto the drop-forward. Be sure to install an o-ring in the top of the drop forward prior to installation. Again, spares are included, and the o-ring can be lubricated to help it slide when installing onto the grip frame.
9. Re-use the factory screws to attach the drop-forward to marker frame:
 - AxePro markers use a pair of button-head cap screws.
 - MiniGS markers use one cap screw (front) and one set screw (rear).
10. Be sure to test out the pressure connection using your HPA tank. If you hear any leaks coming from the drop forward's o-rings, the o-ring may have been damaged during assembly and would need to be replaced.