

## NUMMECH PRODUCTS

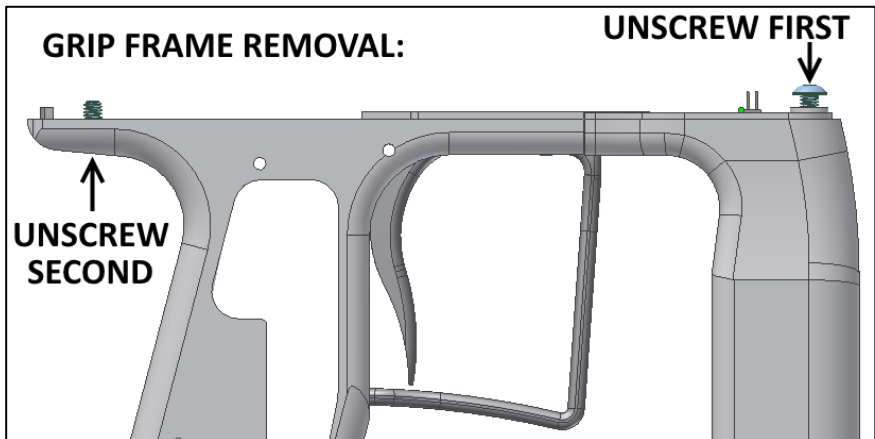
### AXE PRO DEEP GUARD

Trigger guard installation involves separating the marker's grip frame from body, which is where most of the problems arise. Please read these instructions prior to disassembling your marker. An installation video can be found on our website [www.nummech.com](http://www.nummech.com).

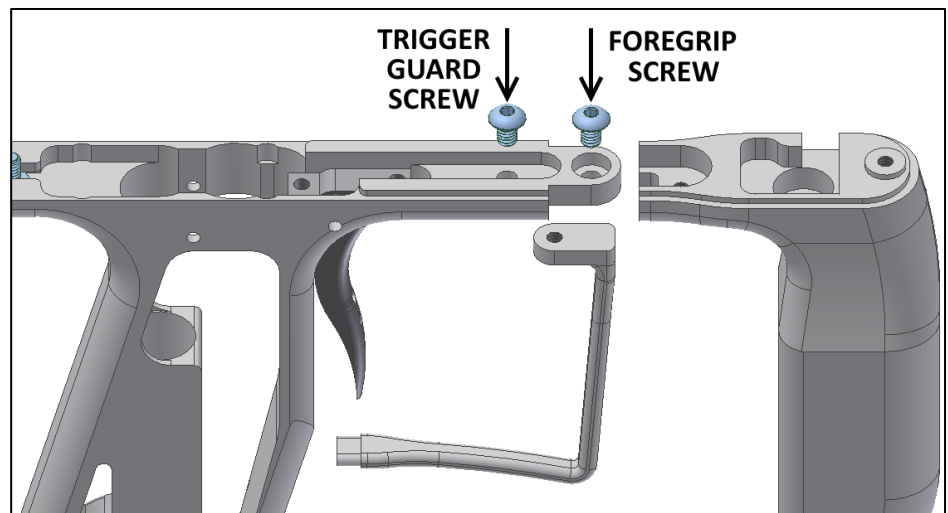
#### Installation:

Removing the existing trigger guard requires separating the grip frame from marker body. The frame is held onto the body using two cap screws which must both be removed, after which the frame's internals can be accessed.

**Important: remove the front screw first, then remove the rear screw afterward.**



The trigger guard and foregrip are retained using cap screws accessed through the top of the frame (see diagram). To separate the trigger guard, both it and the foregrip must be removed, then the guard can slide down and out.



Insert the new Deep Guard into the same location within the grip frame then re-attach it and the foregrip using the two cap screws.

#### Reassembly:

When the grip frame is ready for reinstallation onto the marker body, CAREFULLY slide the body (solenoid, air transfer tube) down through the top of the frame then guide the foregrip's circuit board connector into position. You must exercise caution as to not bend any of the connector pins during reassembly.

With the frame and body attached, tighten the two screws to secure them together. Remember to follow the opposite order compared to taking the marker apart; **tighten the rear screw first, then tighten the front screw afterward.** (the rear screw pushes outward against the underside of the marker body, preventing the front screw from tightening).

Once all screws are tightened into position, you are finished and ready to test the marker!