

# NUMMECH PRODUCTS

## CONTOUR™ RAIL BARREL MOUNT

This simple mount attaches to virtually any paintball marker barrel and affixes a Contour™ camera requiring Contour's rail attachment system. Please read these instructions before your installation. An installation video can be found on our website [www.nummech.com](http://www.nummech.com)

---

### Installation:

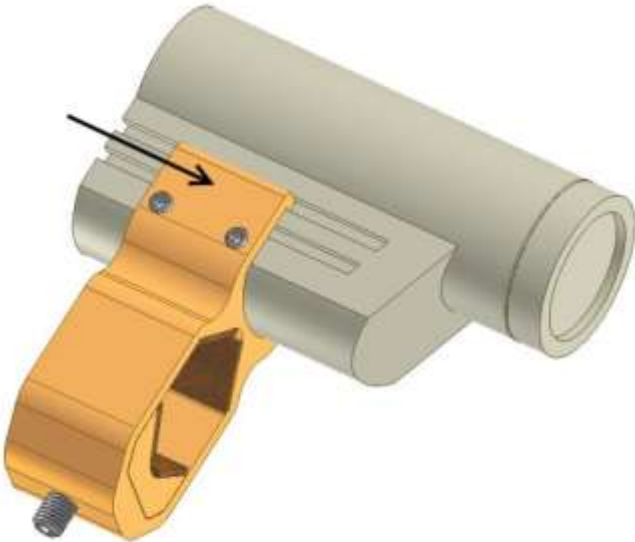
Installation is simple and easy however we've taken some special steps to make the mount as reliable as possible. This product requires no modifications to your equipment or camera.

The barrel mount system comes in an "open" state, ready to be installed onto your barrel. First, we'll prepare the barrel itself.

1. With your barrel removed, install one of the included o-rings on the base of the barrel threads. This will ensure your new mount doesn't come loose during gameplay, since the added weight may cause the barrel to unscrew.



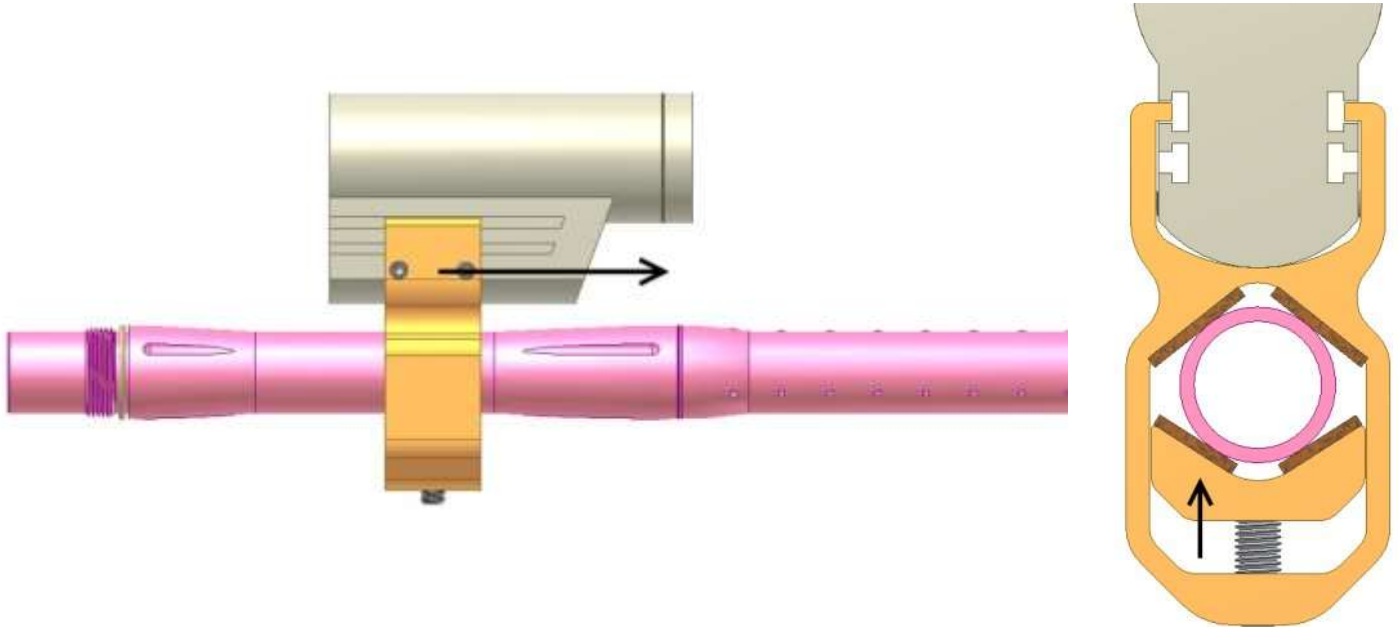
2. Remove your Contour camera from its current mounting system and slide it into the barrel mount bracket.



3. Gently tighten down the small set screws to lock the camera in position. For best results, tighten each of the four screws to "suspend" the camera within the mount.

Note: the camera mount ships with metal set screws installed, however plastic screws are included in case you want to avoid outside scratches on the Contour camera. Over time, scratches can be buffed out with sandpaper if necessary.

4. Install the barrel onto your marker then slide the mount assembly onto it. Find a suitable location for the camera mount then you can tighten the mount's clamp. Ideally you should place the camera mount on a straight section of barrel to ensure the mount stays straight forward.



Note: if using a two-piece barrel system, the camera mount is compatible with either section of barrel. Installing it on the barrel back will balance the marker better, however installing it on the front may give you a better vantage point for videos.

Another note: Using the camera's swiveling lens, you can theoretically position the mount at any angle around the barrel. We recommend the mount to sit above or below the barrel for simplicity; however you can just as easily install it hanging off the left or right sides. Be sure to use a barrel o-ring if mounting the camera in any position except hanging underneath.