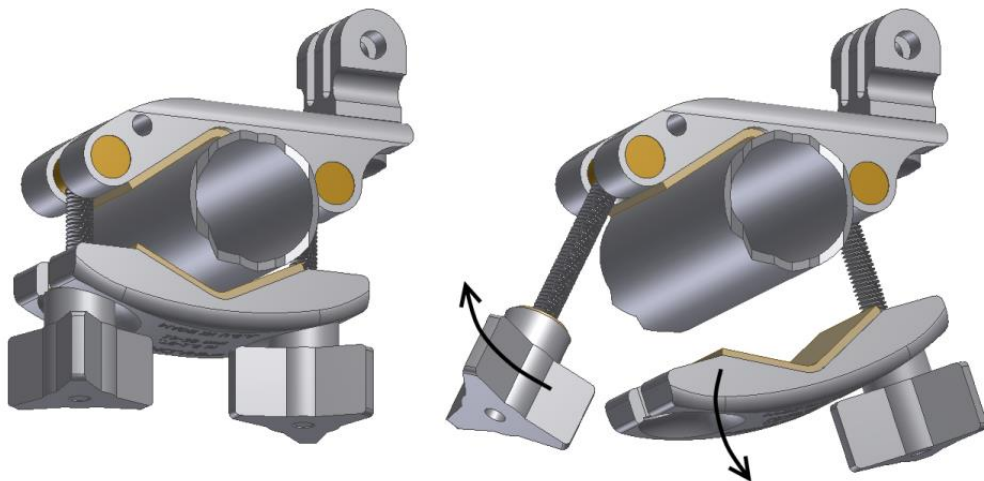


NUMMECH PRODUCTS – MECHCLAMP UNIVERSAL CAMERA MOUNT

The MechClamp mounts with any [mostly] straight section of rail by opening the hinged bracket and wrapping it around the outside. The default clamping range is 0.75-1.5 inches or 19-38 millimeters. Any camera with a ¼-20 screw receptacle (or ¼-20 screw adapter attachment) is then attached onto the flat side of the base.

Clamping is carried out using the adjustment knobs floating between a pair of set screws. Each set screw is anchored to a brass pivoting pin that rotate within the camera mount base. Adjustable clamping range is provided by the knob position along with the set screw extension outward from the camera mount base.

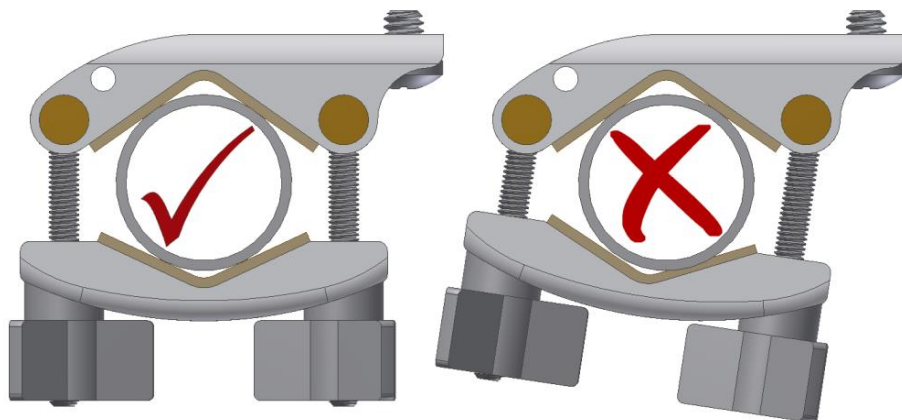


Installation:

1. Open the camera mount and position it onto a straight section of rail.
2. Close the mount around the rail by sliding the knob's screw into movable clamp.

If it doesn't fit, the clamping knobs will need to be loosened to increase the clamping diameter.

3. Secure the clamp system by tightening the knobs by hand. Try to balance the position of the knobs to keep them roughly equal in distance from the camera base (see diagram on the right). The rubberized wedge-shaped clamps work best when applied evenly on both sides of the rail.



4. (Optional) If an excessive amount of set screws extend out from the knobs, they can be adjusted to partially conceal them up within the camera mount base. To adjust, use a 3/32" allen key to tighten the set screws away from the knobs. When loosening the set screws in the future, please be sure they're threaded into the brass pivot pins as much as possible (at least 3 screw threads should be engaged). The screws may free themselves during use if not sufficiently engaged.

