

# NUMMECH PRODUCTS

## GOPRO™ CAMERA BARREL MOUNT

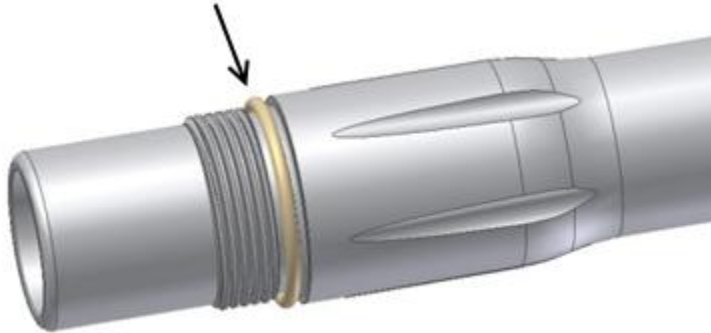
This simple mount attaches to virtually any paintball marker barrel and affixes a GoPro™ camera. Please read these instructions before your installation. An installation video can be found on our website [www.nummech.com](http://www.nummech.com)

---

### Installation:

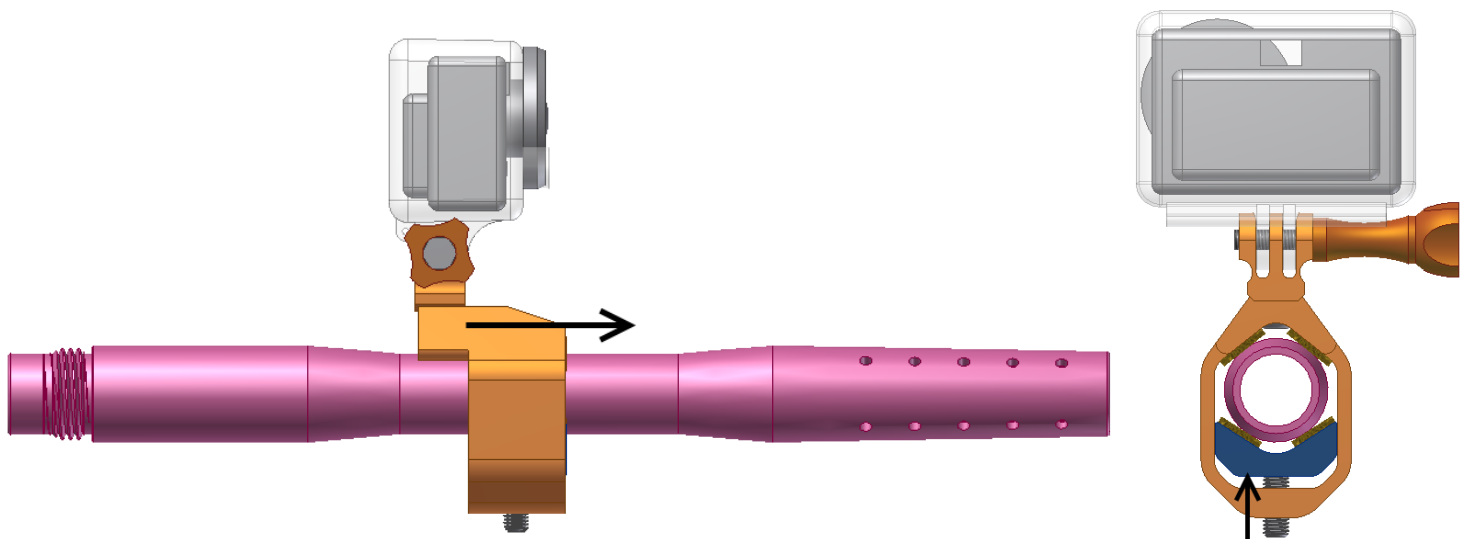
Installation is simple and easy however we've taken some special steps to make the mount as reliable as possible. This product requires no modifications to your equipment or camera.

1. Depending on the type of barrel being used (paintball, airsoft, firearm, etc) you may wish to add tension to prevent the barrel from unscrewing. If using a threaded barrel, you can use the included o-ring to make a tighter fit. This will help ensure your mount doesn't come loose in use.



2. Remove your GoPro camera from its current mounting system and attach it to the barrel mount joint.

3. Slide the barrel mount onto your barrel and find a suitable location to tighten the mount's clamp. Ideally you should place the camera mount on a straight section of barrel to ensure the mount stays pointing straight forward.



Note: if using a two-piece barrel system, the camera mount is compatible with either section of barrel. Installing it on the barrel back will balance the equipment better, however installing it on the front may give you a better vantage point for videos.